

Analog Input; 0 ... 20 mA; Single-Ended



Figure: 750-465

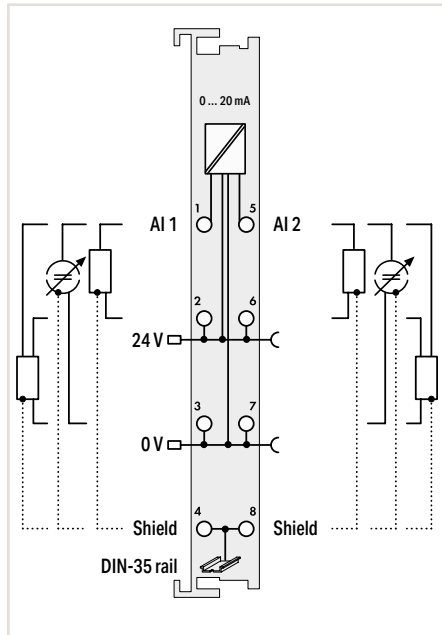
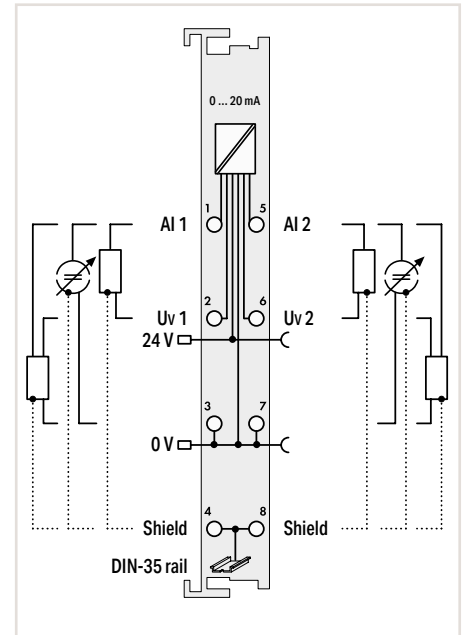


Figure: 750-470



Item Description	2-Channel Analog Input; 0 ... 20 mA; Single-ended			2-Channel Analog Input; 0 ... 20 mA; Single-ended; Short-circuit-protected sensor supply	
Version	Standard	Extended temperature	Pluggable (delivery without connector)	Standard	60 Hz
Item No.	750-465	750-465/025-000	753-465	750-470	750-470/005-000
Order Text	2AI; 0-20mA; SE	2AI; 0-20mA; SE; T	2AI; 0-20mA; SE	2AI; 0-20mA; SE	2AI; 0-20mA; SE; 60Hz
Technical Data				Short-circuit-protected sensor supply	
Extended functionality					
Pluggable connector				●	
Number of analog inputs	2			2	
Signal type	0 ... 20 mA			0 ... 20 mA	
Signal characteristic	Single-ended			Single-ended	
Resolution	12 bits			12 bits	
Conversion time	2 ms			80 ms	
Input resistance	< 220 Ω / 20 mA			< 160 Ω / 20 mA	
Input filter (analog)				50 Hz	60 Hz
Measuring error (max.) at 25 °C	±0.2 % of the upper-range value			±0.1 % of the upper-range value	
Temperature error (max.)	±0.01 % of the upper-range value			±0.01 % of the upper-range value	
Supply voltage (field)	24 VDC (-25 ... +30 %); via power jumper contacts (power supply via blade contact; transmission via spring contact)			24 VDC (-25 ... +30 %); via power jumper contacts (power supply via blade contact; transmission via spring contact)	
Current consumption – system supply (5 V)	75 mA			100 mA	
Data width	2 x 16-bit data; 2 x 8-bit control/status (optional)			2 x 16-bit data; 2 x 8-bit control/status (optional)	
Isolation	500 V (system/field)			500 V (system/field)	
Surrounding air temperature (operation)	0 ... +55 °C	-20 ... +60 °C	0 ... +55 °C	0 ... +55 °C	
Dimensions W x H x D	12 x 69.8 x 100 mm			12 x 69.8 x 100 mm	
Approvals	CE; OrdLoc/HazLoc; ATEX/IECEX			CE; Marine; OrdLoc/HazLoc; ATEX/IECEX	
Data sheet and further information, see:	wago.com/750-465		wago.com/753-465	wago.com/750-470	
Accessories				Item No.	
Pluggable connector				753-110	
Coding keys				753-150	